

TEST REPORTREPORT NO.: HV-11-05153X
PAGE: 1 OF 6
DATE: AUGUST 23, 2011

The following merchandise was submitted and identified by the vendor as :

Style/Item No. : Ceramic PRO
Manufacturer/Vendor : Nanoshine LTD
Country of Origin : Taiwan

We have tested the submitted sample(s) as requested and the following results were obtained :

Test Required : (According to client's test specification, please see following sheets in detail.)

- (1) Hardness by Pencil Test
- (2) Alkali resistance
- (3) Acid resistance
- (4) Salt solution resistance

Test Result :

-PLEASE SEE ATTACHED PAGE-

Date of Receive : AUGUST 12, 2011Date of Testing : AUGUST 12, 2011~ AUGUST 19, 2011Signed for and on behalf of
SGS Taiwan Ltd.Carlos Kao
Supervisor

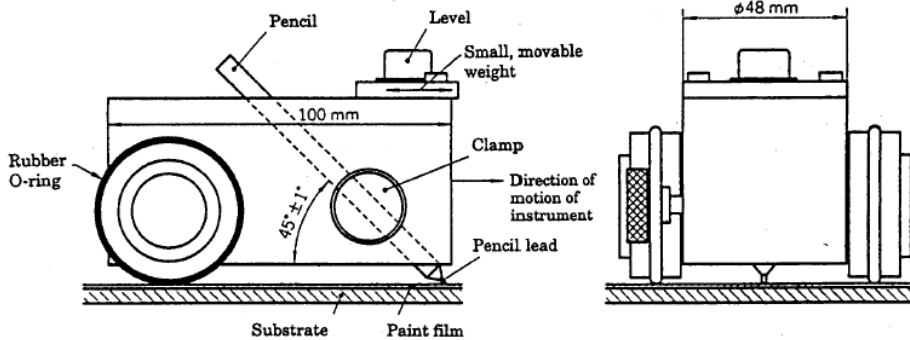
TEST REPORT

REPORT NO.: HV-11-05153X
 PAGE: 2 OF 6
 DATE: AUGUST 23, 2011

(1) Hardness by Pencil Test

Test Equipment:

Name	Brand
Pencil	MITSU-BISHI uni



Lab Environmental Conditions:

Ambient Temperature: 23±2°C
 Relative humidity: 50±5%RH

Test Method/ Specification:

JIS K5400(1990) Testing Methods for Paints (Scratch Hardness)

The variety of pencil hardness:

6B - 5B - 4B - 3B - 2B - B - HB - F - H - 2H - 3H - 4H - 5H - 6H - 7H - 8H - 9H
 Soft ←-----→ Hard

Load: 500 g

Test Result:

Above 9H

TEST REPORT

REPORT NO.: HV-11-05153X
PAGE: 3 OF 6
DATE: AUGUST 23, 2011

(2)Alkali Resistance

Lab Environmental Conditions:

Ambient temperature: 23±2°C
Relative humidity: 50±5%RH

Test Method:

JIS K5400(1990) Testing Methods for Paints

Test conditions:

Test reagent: 5% Na₂CO₃
Test temperature: 23 °C
Test time: 24 hour

※Examine the appearance of specimen(s) by visual check

Test Result:

No visible damage.

TEST REPORT

REPORT NO.: HV-11-05153X
PAGE: 4 OF 6
DATE: AUGUST 23, 2011

(3) Acid Resistance

Lab Environmental Conditions:

Ambient temperature: 23±2°C
Relative humidity: 50±5%RH

Test Method:

JIS K5400(1990) Testing Methods for Paints

Test conditions:

Test reagent: 5% H₂SO₄
Test temperature: 23 °C
Test time: 24 hour
※Examine the appearance of specimen(s) by visual check

Test Result:

No visible damage.

TEST REPORT

REPORT NO.: HV-11-05153X
PAGE: 5 OF 6
DATE: AUGUST 23, 2011

(4)Salt solution resistance

Lab Environmental Conditions:

Ambient temperature: 23±2°C
Relative humidity: 50±5%RH

Test Method:

JIS K5400(1990) Testing Methods for Paints

Test conditions:

Test reagent: 5% NaCl solution
Test temperature: 23 °C
Test time: 96 hour
※Examine the appearance of specimen(s) by visual check

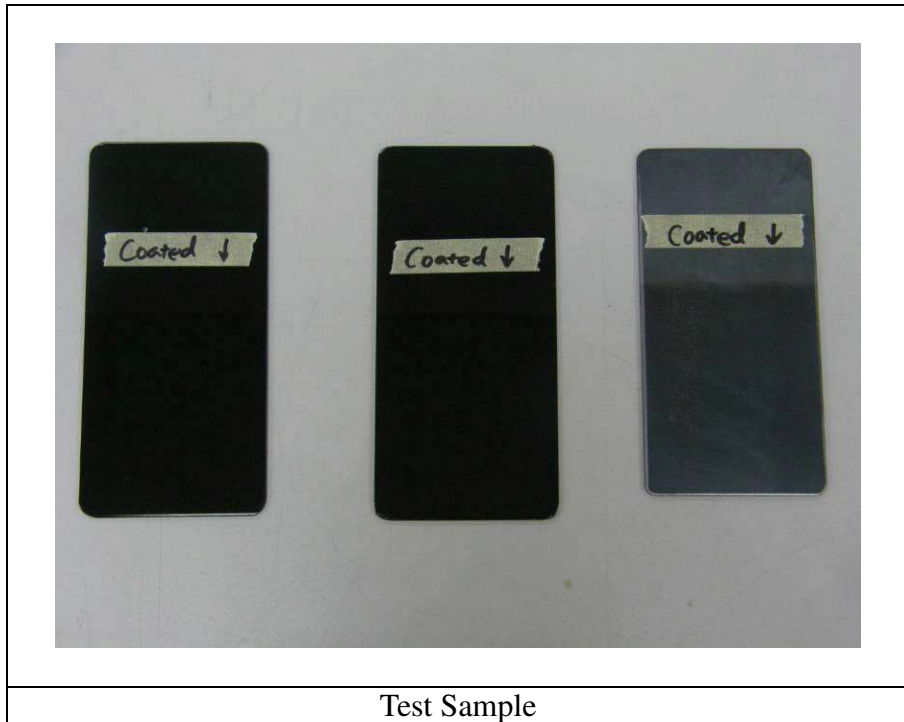
Test Result:

No visible damage.

TEST REPORT

REPORT NO.: HV-11-05153X
PAGE: 6 OF 6
DATE: AUGUST 23, 2011

Test Photo:



— The End of Test Report —